

# HM01RF Touch Screen Battery Thermostat

## Hetta Systems Ltd

Company registration number: 07774761

Email: info@hettasystems.co.uk

Web: www.hettasystems.co.uk

### Product Summary

This new design heating thermostat is designed to be used with the Hetta Wireless Wiring Centre HWC018RF. With a large LCD display it can be positioned within the building, without extra cables.

### Technical Data

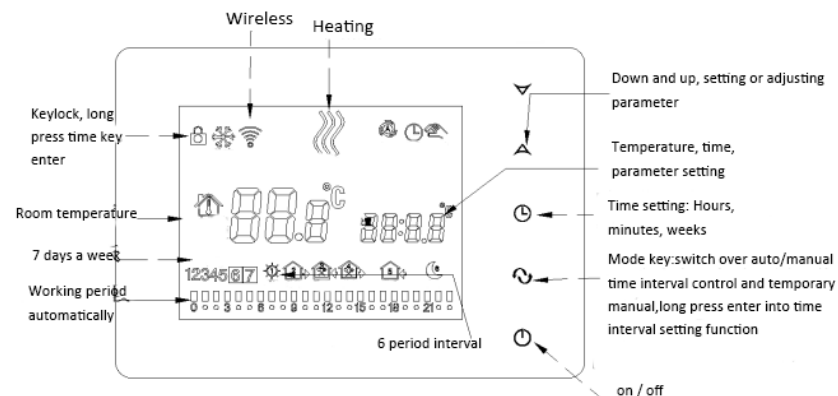
- ❖ Power supply: 1.5V\*2
- ❖ Load current: 3A
- ❖ Consumption: <0.3W
- ❖ Temperature sensor: NTC
- ❖ Accuracy:  $\pm 0.5^{\circ}\text{C}$
- ❖ Set-point temperature Range:  $5^{\circ}\text{C} - 60^{\circ}\text{C}$
- ❖ Limited temperature range:  $5 - 99^{\circ}\text{C}$

### Button description

- On / off
- Mode key: Press to switch between auto/manual time interval control. Allows temporary manual operation and time interval pre-set function
- Time setting: minutes/hours/weeks
- Raise temperature setting, and to increase programmed parameters
- Lower temperature setting, and to decrease programmed parameters
- Keylock, press for 5 sec to lock and unlock

**Note: If the backlight is not on when the thermostat is in operation, this means the battery power is low, in which case please replace the batteries.**

### Screen Display



### Display Functions

- Manual control, Temporary manual control, Auto control
- Water is heating; ;
- Morning, the first time interval;
- Leaving the house: second time interval;
- Lunchtime: third time interval;
- Afternoon: fourth time interval;
- Evening: fifth time interval;
- Night/sleep: sixth time interval;
- Anti-freeze function

## Time and Programme setting

### 1) Time setting

Press “⌚” enter time setting mode. Each press of “⌚” will switch between Hour, Minute & Day (Days being 1234567), use “▲” or “▼” to adjust settings.

### 2) Time Period & Temperature Programming

**Setting the temperature to 00 °C will make the time period INACTIVE.**

1) Press and hold “⌚” button until the display shows “Loop” (cycle control); then, press “▲” or “▼” to display either “12345” (Mon to Fri), “123456” (Mon to Sat) or “1234567” (Mon to Sun).

2) Press “⌚” to enter the 1<sup>st</sup> time period (🏠 icons are displayed for each period) and use “▲” or “▼” to set the desired temperature, then press “⌚” and set the required time. The settings are saved automatically.

3) Press “⌚” to switch to the next time period, then “⌚” to set the temperature and time.

4) Continue with “⌚” to access the remaining time periods.

5) The Auto icon 🏠 displayed when the thermostat is in Auto mode.

Pressing “▲” or “▼” during a time period will switch over to temporary manual control 🏠 where the temperature may be set to override the Auto setting. Auto mode is restored at the next time period.

Pressing “⌚” switches between Auto 🏠 and Manual 🏠 modes.

### 3) Modify time period setting

Press “⌚” first, then press “⌚”; to switch to the time period option to modify time settings.

#### Default Time Periods

Period	Icon	Default Period Time	Default Period Temperature
Working Day	1 🏠	06:00	20°C
	2 🏠	08:00	15°C
	3 🏠	11:30	15°C
	4 🏠	12:30	15°C
	5 🏠	17:30	22°C
	6 🌙	22:00	15°C
Weekend	1 🌞	08:00	22°C
	2 🌙	23:00	15°C

## Advanced Settings (suggestion: contact a technician)

In “power off” state, first press and hold 🏠, then press 🏠 to enter advanced settings, which are saved automatically once backlight is out. Press 🏠 to set next data.

No.	Symbols	Setting Item	Parameter Setting Function	Factory Default
1	dIF	Return limit temperature to value of external sensor	0.5-4.5°C	2°C
2	SVH	Set upper limit temperature value	5-99°C	35°C
3	SVL	Set lower limit temperature value	5-99°C	5°C
4	Adj	Measure temperature	-5-5°C	0.5°C precision Calibration (actual temperature)
5	FrE	Anti-freezing function	00: anti-freeze function off 01: anti-freeze function on	00: anti-freeze function is off
6	Loc	Keylock	00: unlock 01: all keys locked, except power key 02: all of the keys locked	00: unlock
7	SNP	Alternate parameter	00 01 (Active)	00
8	FAC	Factory default	08: just display, no other meaning 00: Restore factory default settings	08

## Wiring Diagram

Please refer to Wireless Wiring Centre User Manual (HWC018RF) for detailed wiring instructions.

**It is recommended that a qualified Electrician is consulted, or used for the installation of this product, in accordance with the current IEE Wiring and Building Regulations.**

## HMO1RF Wireless Pairing Instructions

1. Locate the Bar Code within the Wireless Wiring Centre.



2. To set SN code use the following steps:

3. VAL: control valves 1-8, factory default is 1.

- 1) Turn the Wireless Wiring Centre **ON**.
- 2) After inserting the batteries, turn the Thermostat **OFF**.
- 3) Press and hold the **TIME** button and then press the **POWER** button. The Advanced Settings page will now be displayed.
- 4) Press the **MODE** button until **SNP 00** is displayed, change this to read **01** using the **UP** button. (00 = Inactive 01 = Active)
- 5) Press the **MODE** button and ensure **FAC 08** is shown, then press the **POWER OFF** button.
- 6) Within 10 seconds, press and hold the **DOWN** button and then press the **POWER** button. **SN1** and a Flashing Number will now be displayed.
- 7) Using the **UP & DOWN** buttons enter the first 2 digits of the 14 digit Barcode number, found in the Wireless Wiring Centre, then press **MODE** to display **SN2**, and enter the second 2 digits. Repeat this process to **SN6**.
- 8) After the sixth 2 digits are entered, press **MODE** again. **CHh** will now show the last 2 digits of the Barcode number.
- 9) Press **MODE** again to display **VAL** and enter the number of the Zone Valve to be controlled, eg, **02**.
- 10) Press **MODE** again to go back to the home screen, and test by increasing the SET TEMP to 2 degrees above the ROOM TEMP. After approx. 3 seconds the selected Zone Valve Relay will operate.